



DT60-N211B

Dx60

MID RANGE DISTANCE SENSORS

SICK
Sensor Intelligence.



Ordering information

Type	Part no.
DT60-N211B	1025846

Other models and accessories → www.sick.com/Dx60



Detailed technical data

Performance

Measuring range	200 mm ... 2,000 mm, 6 % remission 200 mm ... 3,600 mm, 18 % remission 200 mm ... 5,300 mm, 90 % remission
Resolution	1.5 mm, Teach resolution ¹⁾
Repeatability	10 mm ¹⁾
Accuracy	± 13 mm ¹⁾
Response time	30 ms 50 ms
Light source	Laser, red
Laser class	2 (EN 60825-1)
Typ. light spot size (distance)	10 mm x 10 mm (at 2 m)
Additional function	Invertable switching output, Invertable analog output, Teach-in version
Laser service life (MTTF at 25 °C)	50,000 h

¹⁾ 6 % ... 90 % remission.

Interfaces

Analog output	4 mA ... 20 mA
Resolution analog output	12 bit
Switching output	1 x NPN (100 mA) ^{1) 2)}
Multifunctional input (MF)	1x Laser off

¹⁾ Output Q short-circuit protected.

²⁾ NPN: HIGH = ≤ 2 V / LOW = U_y.

Mechanics/electronics

Supply voltage V_s	DC 11 V ... 30 V ¹⁾
-------------------------------------	--------------------------------

¹⁾ Limit values, reverse-polarity protected, operation in short-circuit protected network: max. 8 A.

²⁾ May not fall short of or exceed V_s tolerances.

³⁾ Without load.

Ripple	$\leq 5 V_{pp}^{2)}$
Power consumption	$\leq 3 W^{3)}$
Warm-up time	$\leq 30 \text{ min}$
Connection type	Male connector, M12, 5-pin
Weight	202 g

1) Limit values, reverse-polarity protected, operation in short-circuit protected network: max. 8 A.

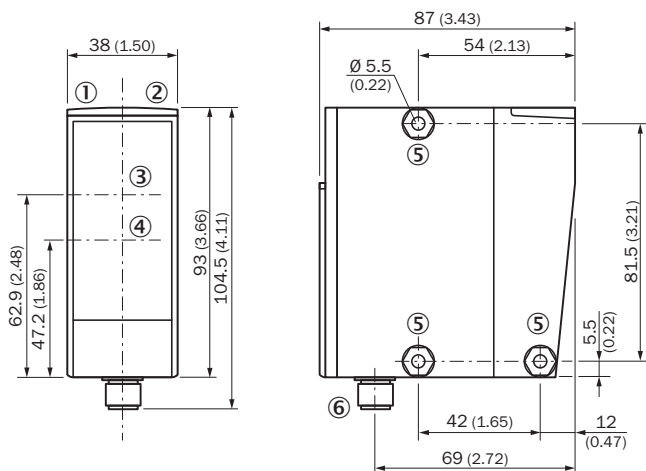
2) May not fall short of or exceed V_S tolerances.

3) Without load.

Ambient data

Enclosure rating	IP 67
Protection class	II
Electromagnetic compatibility (EMC)	EN 61000-6-2 EN 60947-5-2
Ambient temperature	Operation: $-25\text{ °C} \dots +55\text{ °C}$ Storage: $-25\text{ °C} \dots +75\text{ °C}$

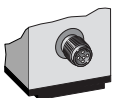
Dimensional drawing (Dimensions in mm (inch))



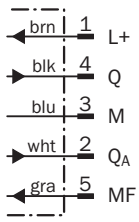
- ① Status indicator switching output
- ② Function indicator
- ③ Optical axis sender
- ④ Optical axis receiver
- ⑤ Fixing hole
- ⑥ Male connector M12, 5-pin

Connection type

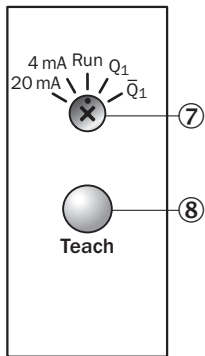
Male connector M12, 5-pin



Connection diagram



Adjustment possible



- ⑦ Rotary switch
- ⑧ Control element

Recommended accessories

Other models and accessories → www.sick.com/Dx60

	Brief description	Type	Part no.
Mounting brackets and mounting plates			
	Mounting bracket, steel, zinc coated, without mounting hardware	BEF-WN-DS60	4032937
Plug connectors and cables			
	Head A: female connector, M12, 5-pin, straight Head B: cable Cable: PVC, unshielded, 2 m	DOL-1205-G02M	6008899
	Head A: female connector, M12, 5-pin, straight Head B: cable Cable: PVC, unshielded, 5 m	DOL-1205-G05M	6009868
	Head A: female connector, M12, 5-pin, straight Head B: cable Cable: PVC, unshielded, 10 m	DOL-1205-G10M	6010544
	Head A: female connector, M12, 5-pin, angled Head B: cable Cable: PVC, unshielded, 2 m	DOL-1205-W02M	6008900
	Head A: female connector, M12, 5-pin, angled Head B: cable Cable: PVC, unshielded, 5 m	DOL-1205-W05M	6009869

	Brief description	Type	Part no.
	Head A: female connector, M12, 5-pin, angled Head B: cable Cable: PVC, unshielded, 10 m	DOL-1205-W10M	6010542

SICK AT A GLANCE

SICK is one of the leading manufacturers of intelligent sensors and sensor solutions for industrial applications. A unique range of products and services creates the perfect basis for controlling processes securely and efficiently, protecting individuals from accidents and preventing damage to the environment.

We have extensive experience in a wide range of industries and understand their processes and requirements. With intelligent sensors, we can deliver exactly what our customers need. In application centers in Europe, Asia and North America, system solutions are tested and optimized in accordance with customer specifications. All this makes us a reliable supplier and development partner.

Comprehensive services complete our offering: SICK LifeTime Services provide support throughout the machine life cycle and ensure safety and productivity.

For us, that is “Sensor Intelligence.”

WORLDWIDE PRESENCE:

Contacts and other locations –www.sick.com